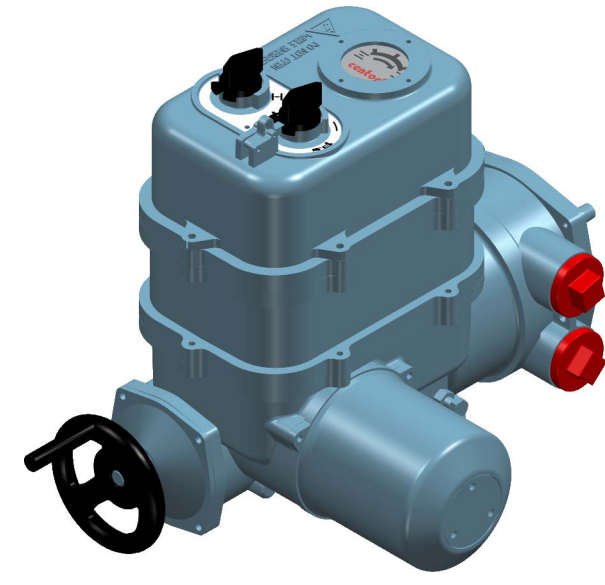
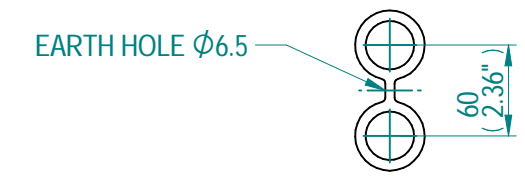


3D VIEW (1:5)



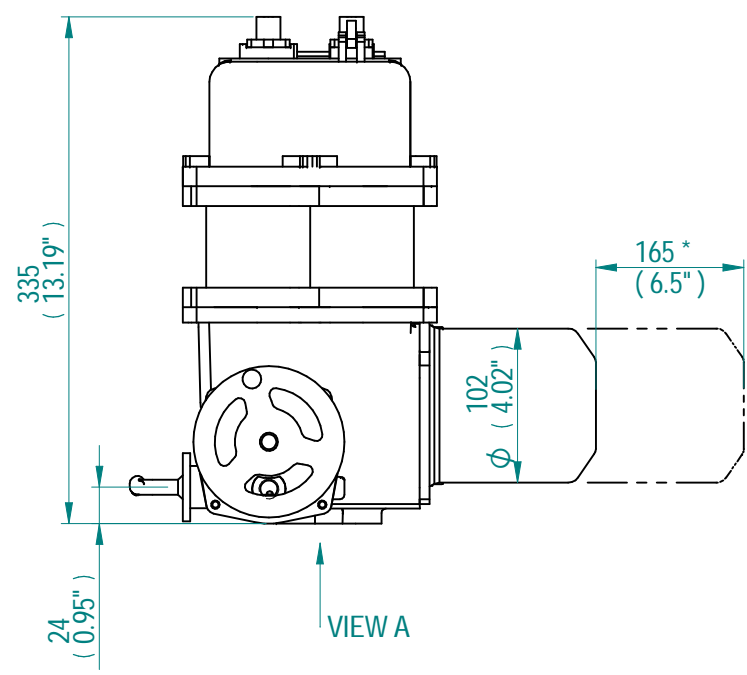
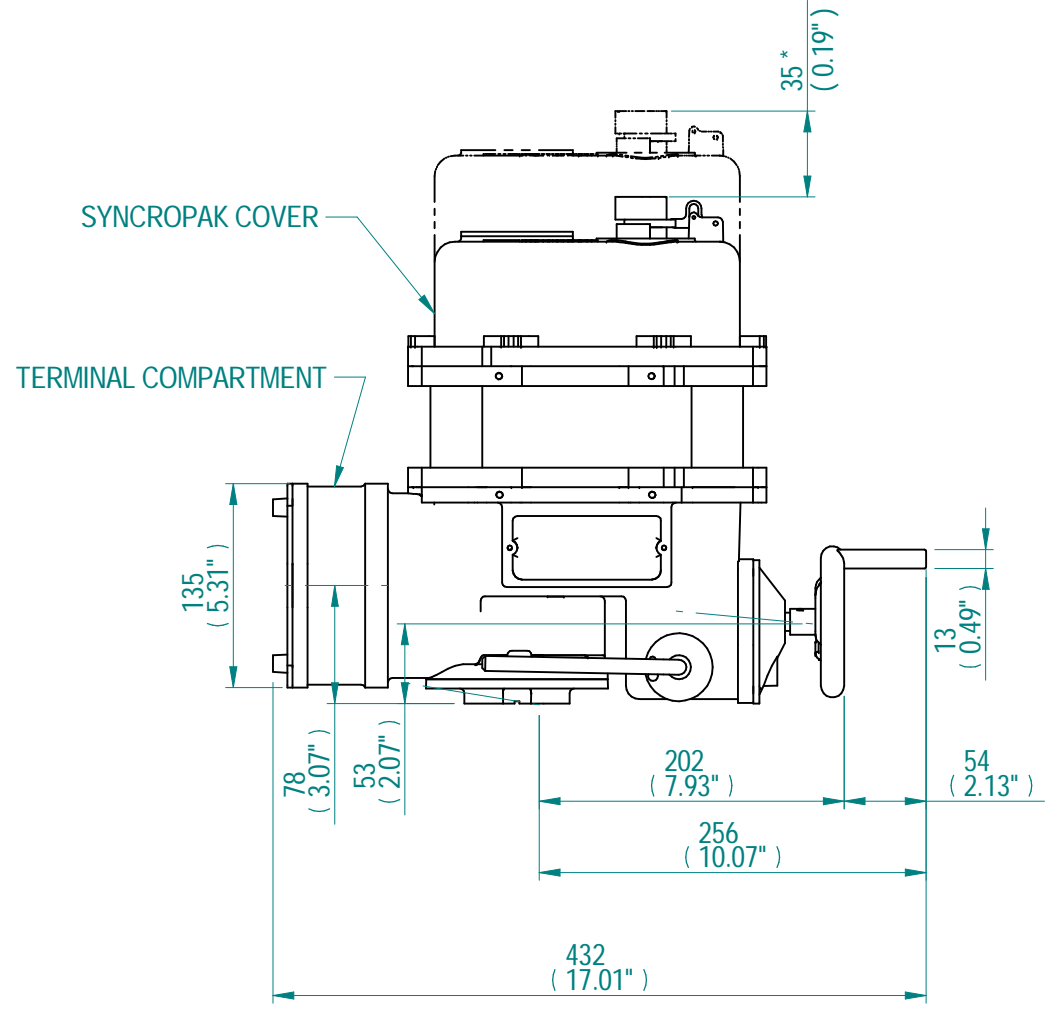
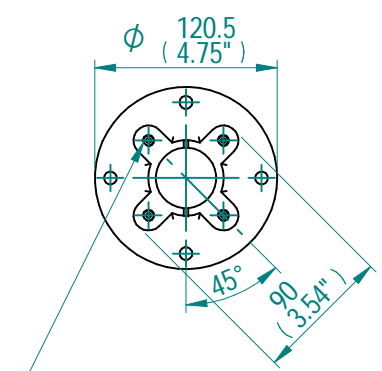
NOTES:
 1. * COVER REMOVABLE ALLOWANCE
 2. APPROXIMATE WEIGHT IS 14 Kg

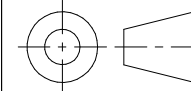
CONDUIT ENTRIES: (NTS)



STANDARD : 2 X M32
 ALTERNATIV IF SPECIFIED: 2 X 1 1/4" NPT

VIEW A DETAILS: (NTS)



centork Chennai - India		©2021 Rotork Group of Companies. All rights reserved. This document and its contents may not be reproduced, distributed, transmitted, displayed, published, or broadcast, in whole, or in part, without the prior express written permission of Rotork Group of Companies.		 Dimensions in mm Scale: 1:5		Title: CENTORK Q100 3 PHASE F05 / F07	
Created	AM	2021-01-13		Drawing Number		Rev	
Checked	DAB	2020-06-17		BR/MISC - 11266		0	
Approved	DAB	2020-06-17		Nominal Mass -		Size A3 Sheet 1 of 1	

Rev	ECN	Revised	Rev. Approved	Date	Change Description
0	-	-	-	13-01-21	FIRST ISSUE

Template Issue - 2020-06-17 GK