

**TITLE:** BASE/PEDESTAL (KIT) FOR CKC30.18 RPM A.C. single-phase demo unit.  
**MODELS:** CK RANGE, KITS

Base/pedestal (kit) for CKC30.18 rpm A.C. single-phase demo unit.

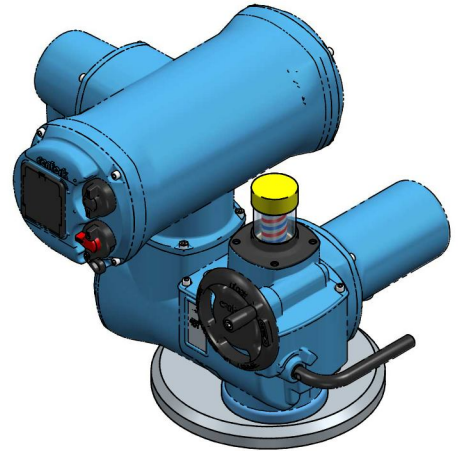
The kit has been design for CK30 (size 1) unit, with/without thrust base F10-A ISO52010 module, containing all elements depicted in the figure (see below). Cable contains three wires for the mains P, N and PE. Connector is not included.

**Attention; Unit can fall over in case of negligent care/handling.**

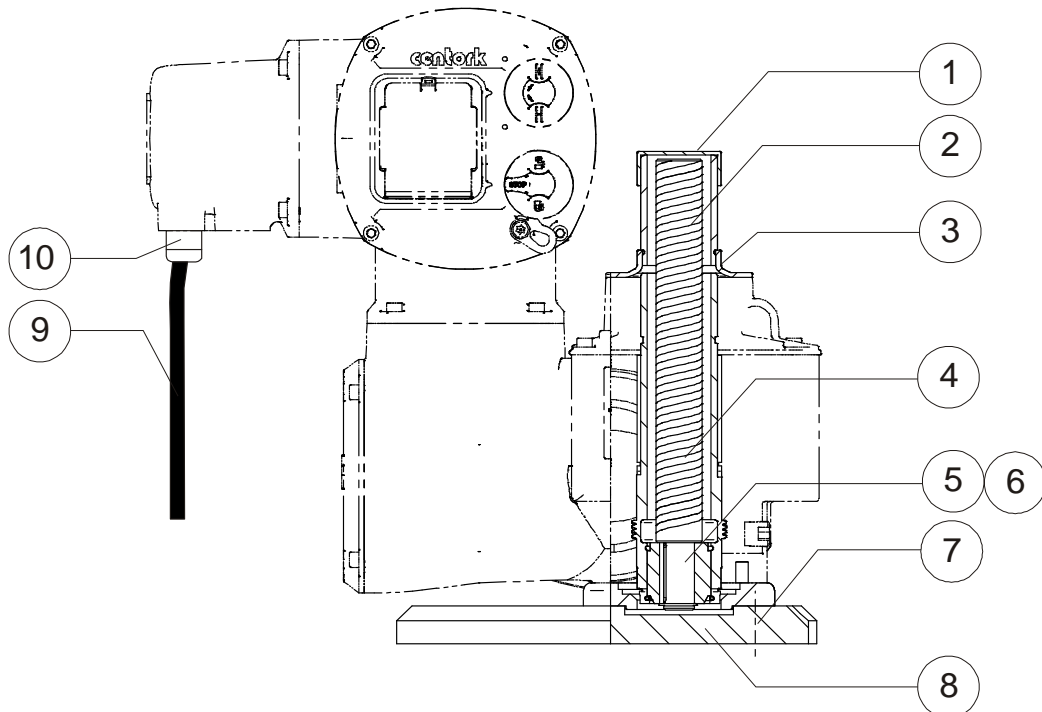


Elements

1. Yellow cap
2. Plastic (optic) protection tube
3. Top cover
4. Barber pole shaft
5. B3 (20 mm) sleeve
6. Keyway
7. M10 screws
8. Base (aluminum)
9. Cable (5 mts)
10. IP68 metallic cablegland (M20)



Note: Actuator NOT included



For ordering; refer to Rotork (San Sebastian) part number: **5088.CK\_DEMO\_KIT**

For wiring, installation and use, refer to the actuator safe use manual (CK range) and wiring diagrams

Rotork Controls. All rights reserved. Subject to change without notice. Previous data sheets invalid with the issue of the latest data sheets. Due to production tolerance variation, the electrical values shown are averages compiled from Actuator production test data. Values are therefore provided for guidance only. Individual production tests are available on request (nominal load not included). Rotork Controls underwrite rated torque output only (specified tolerance -0/+10%)